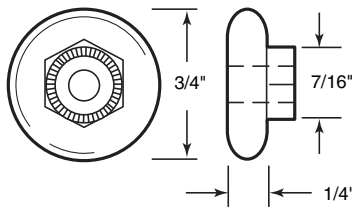


**M-6000**  
**M-6151**

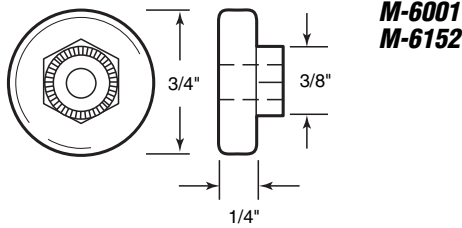


**M-6000** (2 per card)  
**M-6151** (4 per card)

**Roller** (Oval edge)

**Contents:** Rollers with no. 8-32 x 3/8" Phillips binder head machine screws.

**Description:** Nylon ball bearing roller with threaded hex hub.



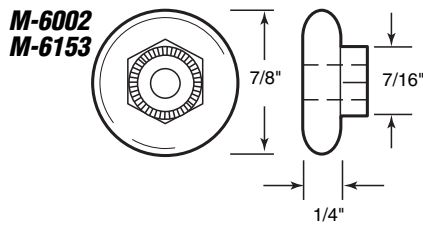
**M-6001**  
**M-6152**

**M-6001** (2 per card)  
**M-6152** (4 per card)

**Roller** (Flat edge)

**Contents:** Rollers with no. 8-32 x 3/8" Phillips binder head machine screws.

**Description:** Nylon ball bearing roller with threaded hex hub.



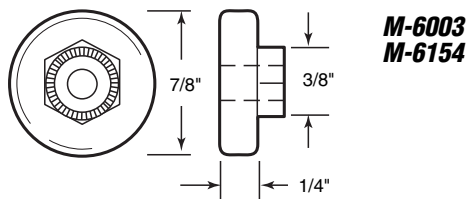
**M-6002**  
**M-6153**

**M-6002** (2 per card)  
**M-6153** (4 per card)

**Roller** (Oval edge)

**Contents:** Rollers with no. 8-32 x 3/8" Phillips binder head machine screws.

**Description:** Nylon ball bearing roller with threaded hex hub.



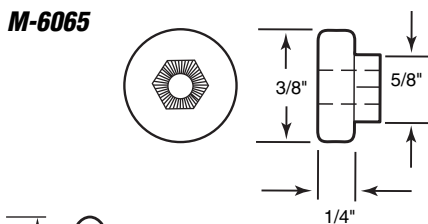
**M-6003**  
**M-6154**

**M-6003** (2 per card)  
**M-6154** (4 per card)

**Roller** (Flat edge)

**Contents:** Rollers with no. 8-32 x 3/8" Phillips binder head machine screws.

**Description:** Nylon ball bearing roller with threaded hex hub.



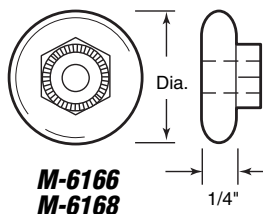
**M-6065**

**M-6065**

**Roller** (Flat edge)

**Contents:** 2 rollers; 2 no. 8-32 x 3/8" Phillips binder head machine screws.

**Description:** Nylon ball bearing roller with threaded hex hub.



**M-6166**  
**M-6168**

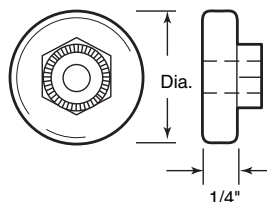
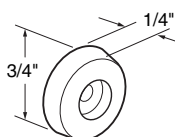
**M-6167**  
**M-6169**

**M-6166** (3/4" oval edge)  
**M-6167** (3/4" flat)  
**M-6168** (7/8" oval edge)  
**M-6169** (7/8" flat)

**Roller & Bumper**

**Contents:** 2 rollers; 1 bumper; installation screws.

**Description:** Solid brass inner race with stainless steel ball bearings; threaded hex hub; clear vinyl bumper.



# Shower Door Hardware

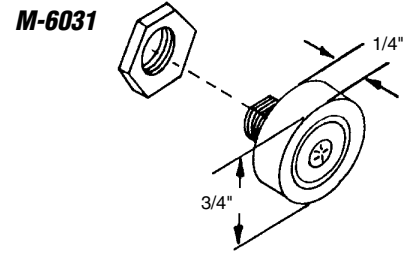
## M-6031

### Roller (Flat edge)

**Contents:** 2 rollers; 2 hex nuts.

**Description:** Nylon ball bearing roller; 5/16" threaded stud; used on sliding shower doors.

You may also wish to stock these related parts: **M-6013**.



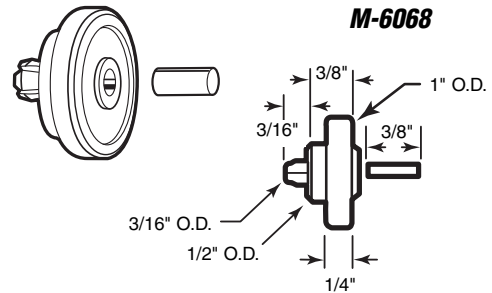
## M-6068 (Nylon)

### Roller (Flat edge)

**Contents:** 2 rollers; 2 drive pins.

**Description:** Drive-in pin secures expandable axle to pre-drilled hole in door.

You may also wish to stock these related parts: **M-6067**.

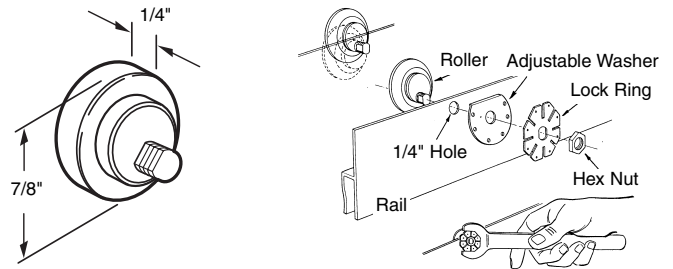


## M-6006

### Roller (Flat edge)

**Contents:** 2 rollers; 2 washers; 2 lock rings; 2 ea. 1/4"-32 hex nuts.

**Description:** Nylon roller; 8 position, top hung adjustable assembly (adjustments may be made after panel is installed); fits on *American Shower Door*.



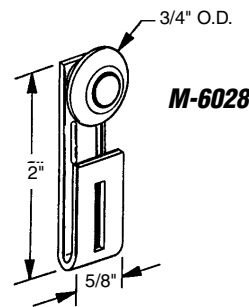
## M-6028

### Roller Assembly

**Contents:** 2 roller assemblies; 2 no. 10-32 x 3/4" Phillips pan head machine screws; 2 no. 10-32 square nuts.

**Description:** Nylon ball bearing oval edge roller; aluminum bracket; top hung; adjustable (adjustment can be made without removing panel); fits on *International* doors.

You may also wish to stock these related parts: **M-6067**.



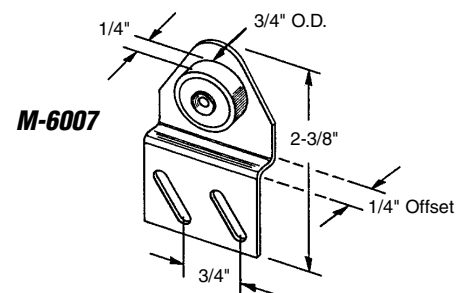
## M-6007

### Roller Assembly

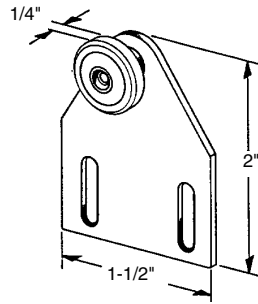
**Contents:** 2 roller assemblies; 2 sets of installation screws.

**Description:** Flat edge nylon ball bearing roller; top hung; adjustable offset bracket.

You may also wish to stock these related parts: **M-6001**, **M-6029**.



**M-6008**  
**M-6032**  
**M-6009**



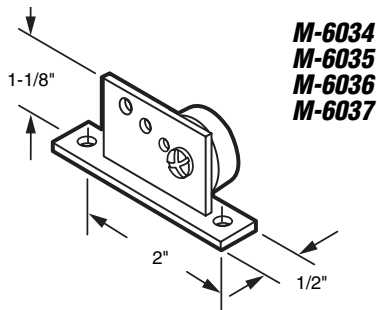
**M-6008** (3/4" flat edge ball bearing roller)  
**M-6032** (3/4" oval edge ball bearing roller)  
**M-6009** (7/8" flat edge roller)

## Roller Assembly

**Contents:** 2 roller assemblies; 2 sets of installation screws.

**Description:** Nylon roller; stamped aluminum bracket; top hung; adjustable.

You may also wish to stock these related parts: **M-6029**, **M-6001**.



**M-6034**  
**M-6035**  
**M-6036**  
**M-6037**

**M-6034** (3/4" oval edge roller)  
**M-6035** (3/4" flat edge roller)  
**M-6036** (7/8" oval edge roller)  
**M-6037** (7/8" flat edge roller)

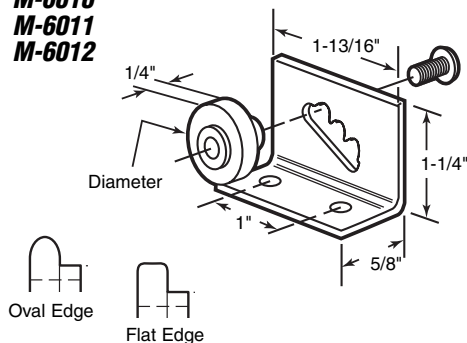
## Door Roller Bracket

**Contents:** 2 roller assemblies; 2 sets of installation screws.

**Description:** Nylon ball bearing roller; aluminum bracket; top hung; adjustable; used by several shower door and tub enclosure manufacturers.

You may also wish to stock these related parts: **M-6000**, **M-6001**, **M-6002**, **M-6003**.

**M-6010**  
**M-6011**  
**M-6012**



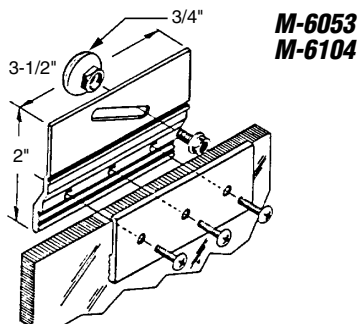
**M-6010** (3/4" oval edge roller)  
**M-6011** (3/4" flat edge roller)  
**M-6012** (7/8" oval edge roller)

## Roller Assembly

**Contents:** 2 roller assemblies; 2 sets of installation screws.

**Description:** Stamped steel bracket; nylon ball bearing roller; top hung; adjustable.

You may also wish to stock these related parts: **M-6000**, **M-6001**, **M-6002**.



**M-6053**  
**M-6104**

**M-6053** (Chrome finish)  
**M-6104** (Brite brass finish)

## Roller Assembly

**Contents:** 2 roller assemblies; 2 sets of installation screws.

**Description:** Extruded aluminum bracket with glazing vinyl; 3/4" diameter oval edge nylon ball bearing roller; accepts up to 1/4" thick panels; used on frameless shower doors.

You may also wish to stock these related parts: **M-6000**, **M-6097**, **M-6099**.

## M-6054

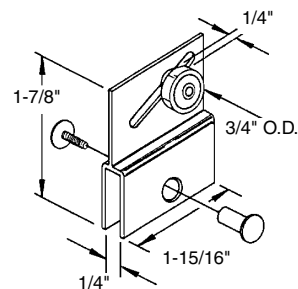
### Roller Assembly

**Contents:** 2 roller assemblies; 2 sets of installation screws.

**Description:** Extruded aluminum bracket; 3/4" diameter, flat edge, nylon ball bearing roller; thru-glass 1/4" binder post; used on frameless shower doors.

You may also wish to stock these related parts: **M-6001**.

**M-6054**



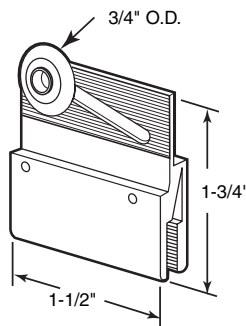
## M-6145

### Roller Assembly

**Contents:** 2 rollers assemblies.

**Description:** Extruded aluminum brackets 3/4" diameter, oval edge, nylon ball bearing roller; used on frameless shower doors.

You may also wish to stock these related part: **M-6000**.



**M-6145**

## M-6143

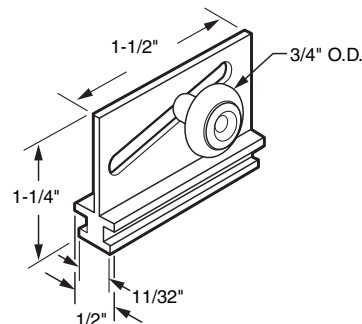
### Roller Assembly

**Contents:** 1 roller assembly.

**Description:** Extruded aluminum bracket; 3/4" diameter, oval edge, nylon ball bearing roller; top hung; adjustable; fits on *Workright Products*.

You may also wish to stock these related parts: **M-6000**, **M-6144**.

**M-6143**



## M-6055

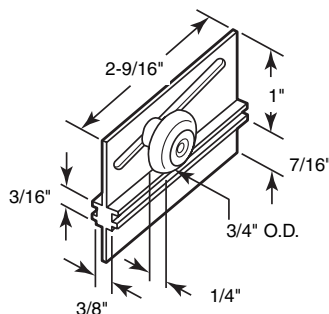
### Roller Assembly

**Contents:** 2 rollers assemblies.

**Description:** Extruded aluminum bracket; oval edge nylon ball bearing roller; top hung; adjustable; fits on *Premiere*.

You may also wish to stock these related parts: **M-6000**.

**M-6055**



## M-6013

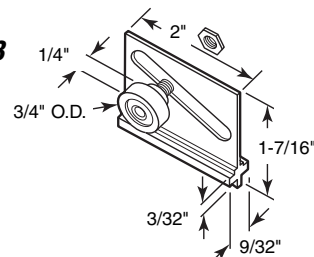
### Roller Assembly

**Contents:** 2 roller assemblies.

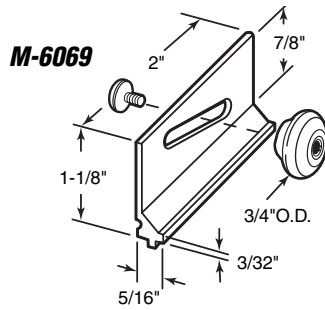
**Description:** Extruded aluminum bracket; flat edge nylon ball bearing roller; top hung; adjustable; fits on *Ador/ Hilite*.

You may wish to stock these related parts: **M-6001**.

**M-6013**



Call for  
Availability



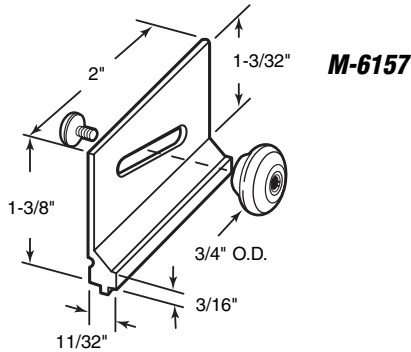
## M-6069

### Roller Assembly

**Contents:** 2 roller assemblies.

**Description:** Extruded aluminum bracket; oval edge nylon ball bearing roller; top hung; adjustable; fits on *Bath Co Shower Door*.

You may also wish to stock these related parts: **M-6000, M-6088, M-6091, M-6157.**



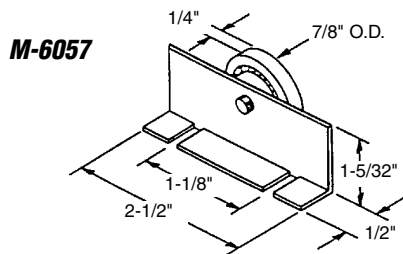
## M-6157

### Roller Assembly

**Contents:** 2 roller assemblies.

**Description:** Extruded aluminum bracket; oval edge nylon ball bearing roller; top hung; adjustable; fits on *Bath Co Shower Door*.

You may also wish to stock these related parts: **M-6000, M-6088, M-6091, M-6157.**

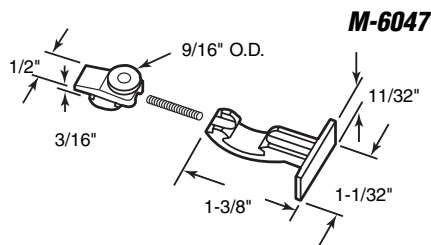


## M-6057

### Roller And Bracket

**Contents:** 2 roller and bracket assemblies; 1 set of installation screws.

**Description:** Stamped aluminum bracket; 7/8 inch flat edge nylon ball bearing roller; top mounting; 1-1/8 inch hole centers.



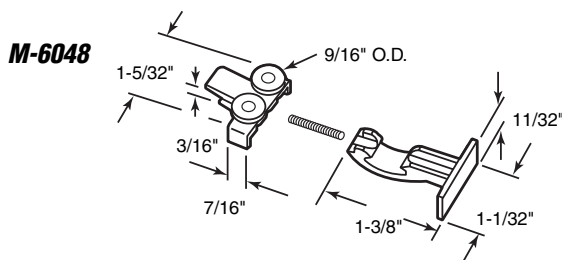
## M-6047

### Guide Roller Assembly

**Contents:** 2 roller assemblies.

**Description:** Nylon guide bracket; spring loaded; used top and bottom on leading-edge of sliding sectional doors.

You may wish to stock these related parts: **M-6048, M-6049, M-6050, M-6051.**



## M-6048

### Guide Roller Assembly

**Contents:** 2 roller assemblies.

**Description:** Nylon guide bracket; spring loaded; used top and bottom on mid-panels of sliding sectional doors.

You may wish to stock these related parts: **M-6049, M-6050, M-6051.**

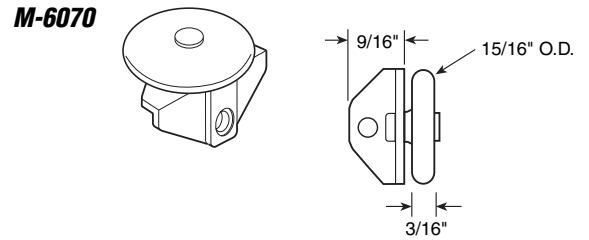
## M-6070

### Guide Roller Assembly

**Contents:** 2 roller assemblies.

**Description:** Nylon assembly serves as both door roller and guide; fits on *Tubmaster* folding doors.

You may wish to stock these related parts: **M-6071**.



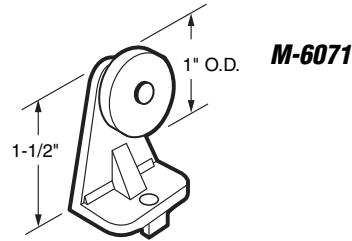
## M-6071

### Guide Roller Assembly

**Contents:** 2 roller assemblies.

**Description:** Nylon assembly serves as a top hung door roller; fits on *Tubmaster* bi-passing doors.

You may wish to stock these related parts: **M-6070**



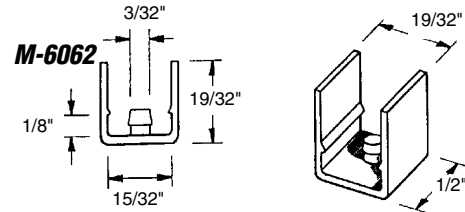
## M-6062

### Bottom Guide

**Contents:** 2 guides.

**Description:** Nylon guide for sliding tub enclosure doors; fits directly onto door frame bottom; normal installation is 2 per door; snap-in design.

*Call for Availability*

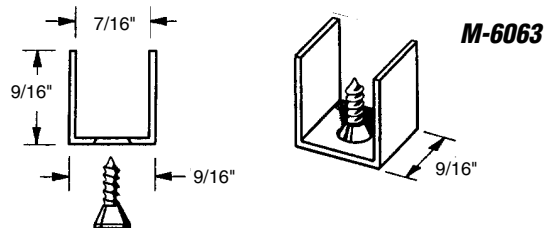


## M-6063

### Bottom Guide

**Contents:** 2 guides; 2 installation screws.

**Description:** Nylon guide for sliding tub enclosure doors; fits directly onto door frame bottom; normal installation is 2 per door.



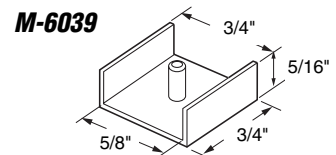
## M-6039

### Bottom Guide

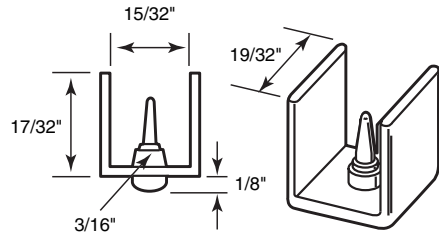
**Contents:** 2 guides.

**Description:** Nylon guide for sliding tub enclosure doors; fits 1/2\"/>

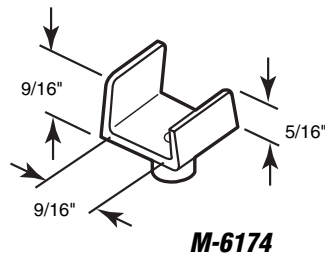
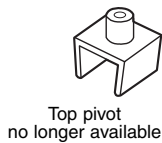
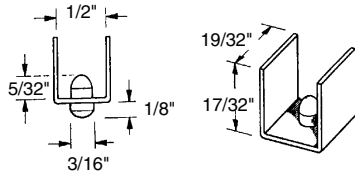
You may also wish to stock these related parts: **M-6026**.



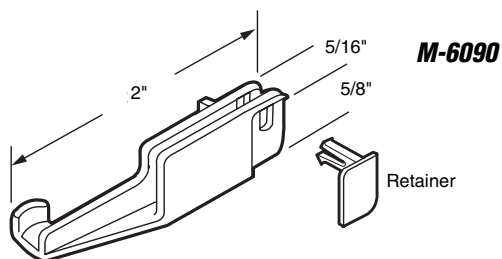
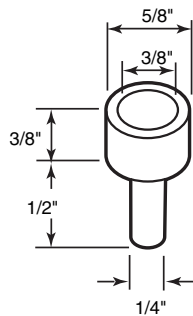
## M-6061



## M-6060



## M-6056



## M-6061

### Bottom Guide

**Contents:** 2 guides.

**Description:** Nylon guide for sliding tub enclosure doors; fits directly onto door frame bottom; normal installation is 2 per door; snap-in design.

## M-6060

### Bottom Guide

**Contents:** 2 guides.

**Description:** Nylon guide for sliding tub enclosure doors; fits directly onto door frame bottom; normal installation is 2 per door; snap-in design.

## M-6174

### Bottom Pivot

**Contents:** 1 bottom pivot.

**Description:** Nylon pivot, used on swinging shower doors; fits 9/16" thick frame.

You may wish to stock these related parts: **M-6014**, **M-6029**.

## M-6056

### Pivot

**Contents:** 2 pivots.

**Description:** Nylon top and bottom pivot for swinging shower doors; fits a 1/4" hole.

You may wish to stock these related parts: **M-6038**.

Call for  
Availability

## M-6090

### Bottom Guide

**Contents:** 2 guides; 2 retainers.

**Description:** Nylon bottom guide and retainer for shower doors; fits on *Kinlead* and *Sterling*.

# Shower Door Hardware

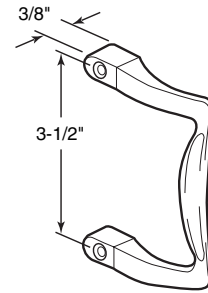
**M-6016** (Chrome finish)  
**M-6017** (Brass finish)

## Pull Handle (Inside)

**Contents:** 1 handle; 1 set of installation screws.

**Description:** Plated diecast handles for sliding or swinging, shower and tub enclosure doors.

**M-6016**  
**M-6017**

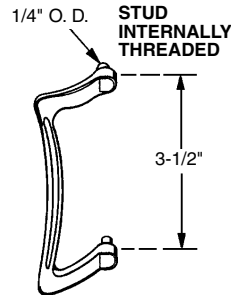


**M-6018** (Chrome finish)  
**M-6019** (Brass finish)

## Pull Handle (Outside)

**Contents:** 1 handle; 1 set of installation screws.

**Description:** Plated diecast handles for sliding or swinging, shower and tub enclosure doors.



**M-6018**  
**M-6019**

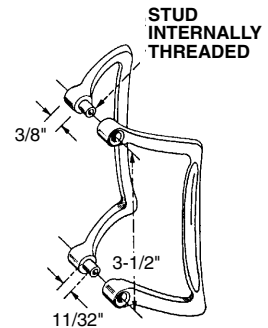
**M-6029** (Chrome finish)  
**M-6030** (Brass finish)  
**M-6042** (Antique brass finish)

## Handle Set

**Contents:** 1 handle set with installation screws.

**Description:** Plated diecast handle set for hinged shower doors and sliding tub enclosure doors.

**M-6029**  
**M-6030**  
**M-6042**

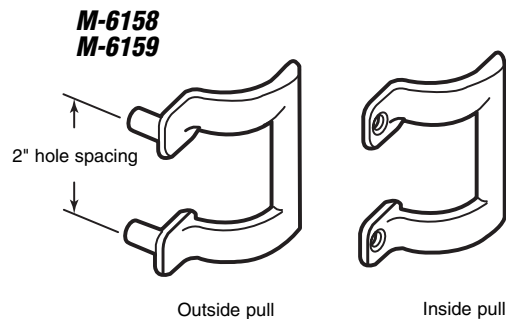


**M-6158** (Chrome plated)  
**M-6159** (Brass plated)

## Handle Set

**Contents:** 1 handle set with installation screws.

**Description:** Plated diecast handles; outside handle with threaded studs and inside handle with holes; supplied with stainless steel machine screws.



**M-6051**

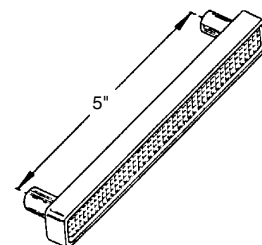
## Pull Handle

**Contents:** 1 handle.

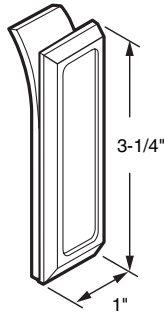
**Description:** White vinyl handle is used on both sliding and swinging shower doors; 5" hole centers.

You may also wish to stock these related parts: **M-6047**, **M-6048**, **M-6049**, **M-6050**.

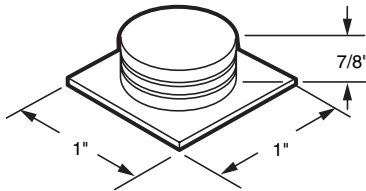
**M-6051**



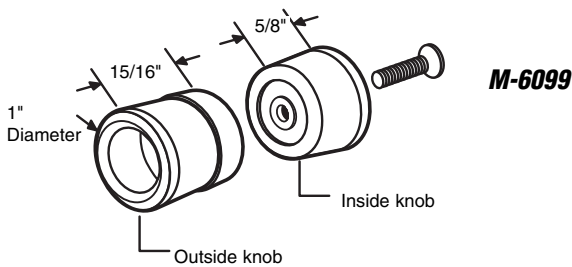
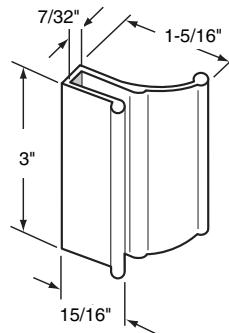
**M-6102**



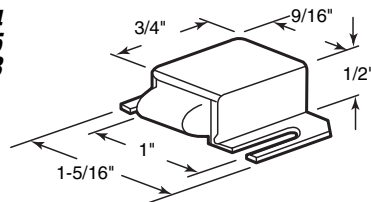
**M-6150**



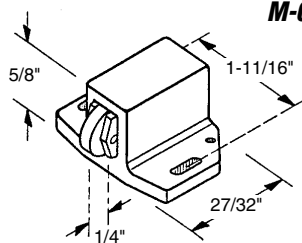
**M-6142**



**M-6014**  
**M-6015**  
**M-6033**



**M-6064**



## M-6102

### Pull

**Contents:** 2 door pulls.

**Description:** Clear acrylic; self adhesive; commonly used on sliding medicine cabinet or mirrored doors.

You may also wish to stock these related parts: **M-6150**.

## M-6150

### Pull

**Contents:** 1 pull.

**Description:** Clear acrylic pull; self adhesive; used on cabinet, shower and tub enclosure sliding doors.

You may also wish to stock these related parts: **M-6102**.

## M-6142 (Chrome finish)

### Pull Handle

**Contents:** 1 handle.

**Description:** Extruded aluminum; accepts a 3/16" glass panel; use with a clear silicone sealant; used by several tub enclosure manufacturers.

## M-6099 (Chrome finish)

### Finger Pull

**Contents:** 1 inside pull; 1 outside pull; 1 spacer ring; 1 installation screw.

**Description:** Diecast knobs with vinyl grips; requires a 3/8" hole in glass.

You may wish to stock these related parts: **M-6097**, **M-6098**.

## M-6014 (Nylon tip - stainless steel housing)

## M-6015 (Stainless steel tip - stainless steel housing)

## M-6033 (Nylon tip - brass finish housing)

### Shower Door Catch

**Contents:** 1 latch assembly; 2 no. 8x3/8" Phillips binder head sheet metal screws.

**Description:** Spring loaded latch; adjustable; for hinged shower doors.

## M-6064

### Catch

**Contents:** 1 catch; 1 set of installation screws.

**Description:** All nylon catch has spring loaded strike roller; heavy duty construction; universal application.

You may also wish to stock these related parts: **M-6023**, **M-6051**.

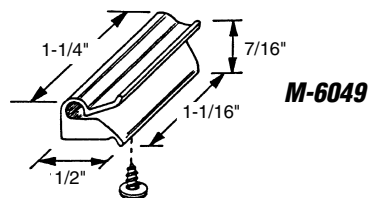
## M-6049

### Friction Catch

**Contents:** 1 catch; 1 installation screw.

**Description:** White nylon catch; friction operated.

You may also wish to stock these related parts: **M-6047**, **M-6048**, **M-6050**, **M-6051**.



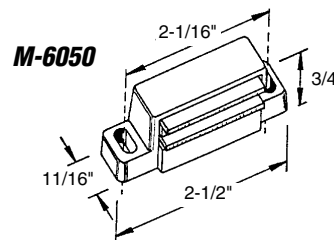
## M-6050

### Magnetic Catch

**Contents:** 1 catch; 1 set of installation screws.

**Description:** White plastic housing; dual magnetic inserts; holds swinging shower doors closed; heavy duty construction.

You may also wish to stock these related parts: **M-6051**.



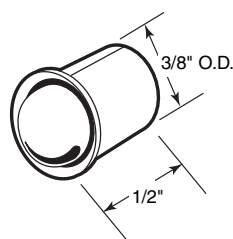
## M-6072

### Bullet Catch

**Contents:** 2 catches.

**Description:** Nickel plated steel; spring loaded bullet style catch.

You may also wish to stock these related parts: **M-6022**, **M-6029**.



## M-6121

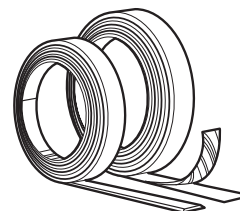
### Magnetic Retainer Strip

**Contents:** 1 set (6' strip)

**Description:** Opposite-attracting, self-adhesive magnetic strips install along edge of shower door to hold it closed; eliminates the need for a catch; will not corrode; can be cut to desired size.

You may also wish to stock these related parts: **M-6051**.

**M-6121**



**M-6022** (36" per card)

**M-6083** (100' per roll)

### Sweep

**Contents:** Sweep.

**Description:** 1-1/2" flat gray vinyl; for use on hinged shower doors.

You may also wish to stock these related parts: **M-6024**, **M-6029**.

**M-6023** (36" per card)

**M-6084** (100' per roll)

### Sweep

**Contents:** Sweep.

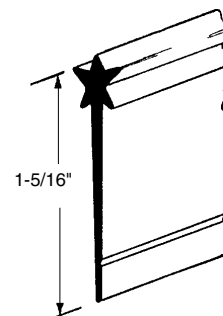
**Description:** "Star tip" gray vinyl; for use on hinged shower doors.

You may also wish to stock these related parts: **M-6014**, **M-6029**.

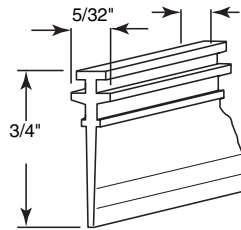
**M-6022**  
**M-6083**



**M-6023**  
**M-6084**



**M-6040**



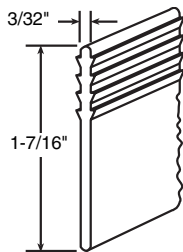
**M-6040**

## Sweep

**Contents:** 1 - 36" sweep.

**Description:** Gray vinyl sweep, for use on hinged shower doors.

You may wish to stock these related parts: **M-6038**.



**M-6092**

**M-6092**

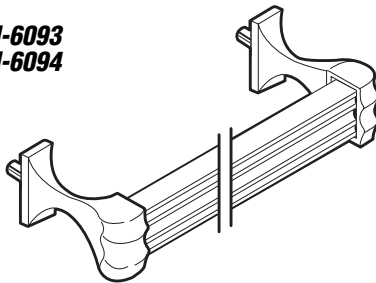
## Sweep

**Contents:** 1 - 36" sweep.

**Description:** Heavy gauge gray vinyl sweep, for use on hinged shower doors.

You may wish to stock these related parts: **M-6134**.

**M-6093**  
**M-6094**



**M-6093** (Chrome finish)

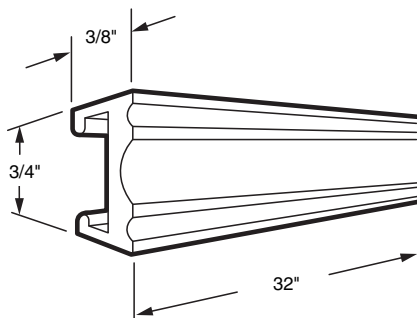
**M-6094** (Brass finish)

## Towel Bar Assembly

**Contents:** 1 - 32" towel bar; 1 set of brackets; 1 set of installation screws.

**Description:** 3/8" x 3/4" extruded aluminum bar; diecast bracket; universal design; used on both shower and tub enclosure doors.

You may wish to stock these related parts: **M-6014**, **M-6027**.



**M-6073**  
**M-6074**  
**M-6122**  
**M-6123**

**M-6073** (Chrome finish)

**M-6074** (Brass finish)

**M-6122** (Satin anodized)

**M-6123** (Satin brass finish)

## Towel Bar

**Contents:** 1 - 32" towel bar.

**Description:** 3/8" x 3/4" extruded aluminum bar; traditional design.

You may wish to stock these related parts: **M-6020**, **M-6021**, **M-6078**, **M-6079**.

# Shower Door Hardware

- M-6020** (Chrome finish)
- M-6021** (Brass finish)
- M-6043** (Antique brass finish)

## Towel Bar Bracket

**Contents:** 2 brackets; 2 installation screws.

**Description:** Plated diecast bracket with stud; accepts a 3/8" x 3/4" towel bar; used on both shower and tub enclosure doors.

You may wish to stock these related parts: **M-6073**, **M-6074**, **M-6122**, **M-6123**.

- M-6078** (Chrome finish)
- M-6079** (Brass finish)
- M-6129** (Bronze finish)

## Towel Bar Bracket

**Contents:** 2 brackets with installation screws.

**Description:** Plated diecast construction; bracket accepts a 3/8" x 3/4" towel bar; offset bracket allows door to open back against adjoining wall.

You may wish to stock these related parts: **M-6073**, **M-6074**, **M-6122**, **M-6123**.

- M-6098** (Chrome finish)

## Towel Bar Bracket and Finger Pull

**Contents:** 2 towel bar brackets; 1 finger pull; 2 spacer rings; 1 screw shield; 1 set of installation screws.

**Description:** Plated diecast construction; brackets require 3/8" holes for installation and accepts a 7/16" x 11/16" towel bar.

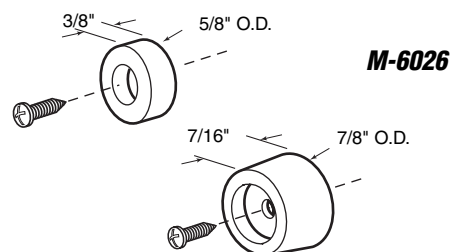
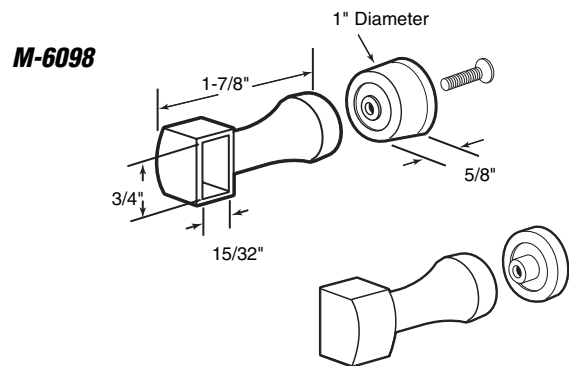
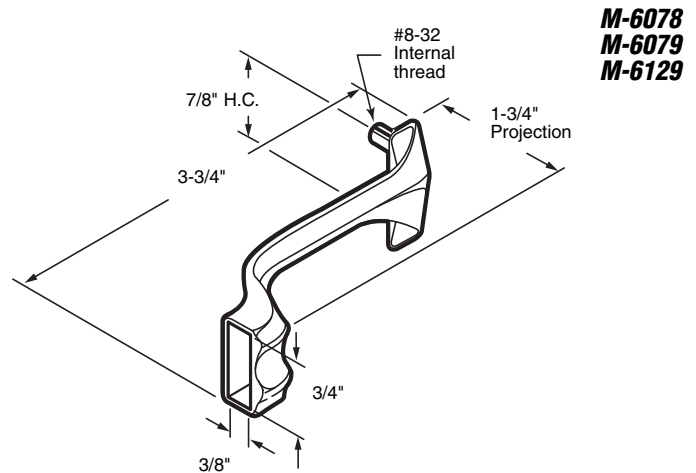
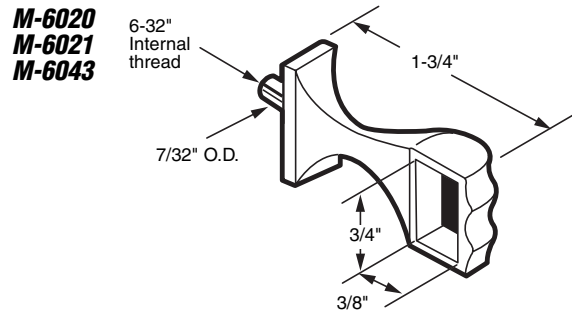
You may wish to stock these related parts: **M-6099**.

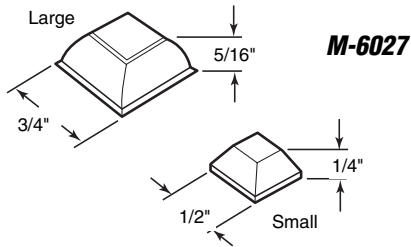
- M-6026**

## Bumper Assortment

**Contents:** 4 bumpers (2 large, 2 small); 4 installation screws.

**Description:** White rubber, anti-slam protective bumpers for sliding shower doors.



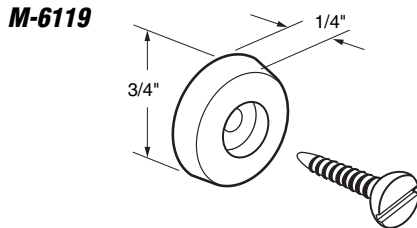


## M-6027

### Bumper Assortment

**Contents:** 4 bumpers (2 large, 2 small).

**Description:** Anti-slam protective stops; off-white; resilient polyurethane; pressure sensitive adhesive backing; no screws necessary.



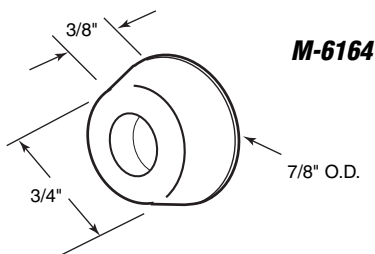
## M-6119

### Bumper

**Contents:** 4 bumpers; 4 installation screws.

**Description:** Clear vinyl bumpers; for shower and tub enclosure doors; used by several shower door manufacturers.

You may wish to stock these related parts: **M-6014**.

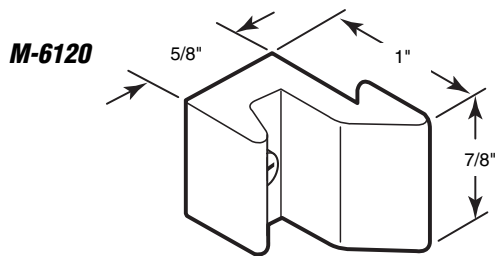


## M-6164

### Door Bumper

**Contents:** 4 bumpers; 4 installation screws.

**Description:** Clear polyurethane bumper; for shower and tub enclosure doors; used by several shower door manufacturers.

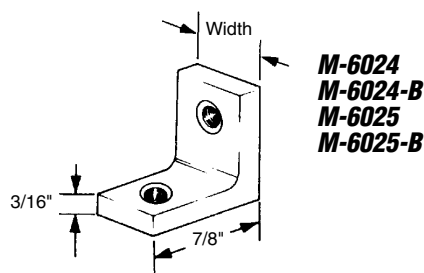


## M-6120

### Bumper Guide

**Contents:** 2 guides; 2 installation fasteners.

**Description:** Black neoprene bumper-guide; jamb mount; for shower and tub enclosure doors; fits on **Agalite** shower doors.



**M-6024** (5/16" wide)

**M-6024-B** (5/16" wide - 100 poly-bagged)

**M-6025** (7/16" wide)

**M-6025-B** (7/16" wide - 100 poly-bagged)

### Corner Bracket

**Contents:** Corners; no. 8-32 x 3/8" Phillips flat head machine screws.

**Description:** Extruded aluminum corner; pre-drilled and tapped; no. 8-32 thread; used to attach frames together on sliding and hinged shower doors.

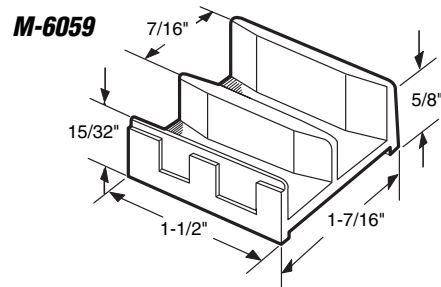
## M-6059

### Bottom Guide

**Contents:** 2 guides.

**Description:** Nylon bottom guide for sliding tub enclosure doors; fits 7/16" thick door rails; used by several shower door manufacturers.

You may also wish to stock these related parts: **M-6058**.



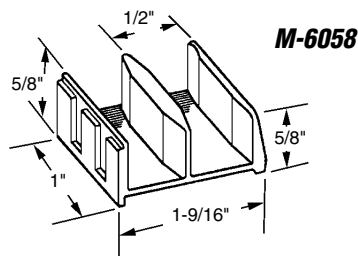
## M-6058

### Bottom Guide

**Contents:** 2 guides.

**Description:** Nylon bottom guide for sliding tub enclosure doors; fits 7/16" thick door rails; used by several shower door manufacturers.

You may also wish to stock these related parts: **M-6059**.



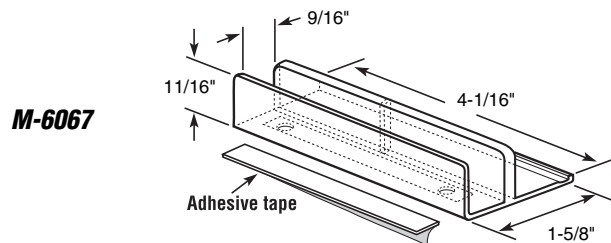
## M-6067

### Bottom Guide

**Contents:** 1 guide.

**Description:** Nylon bottom guide for sliding tub enclosure doors; fits 1/2" thick door rails; fits on *International*.

You may also wish to stock these related parts: **M-6028**.



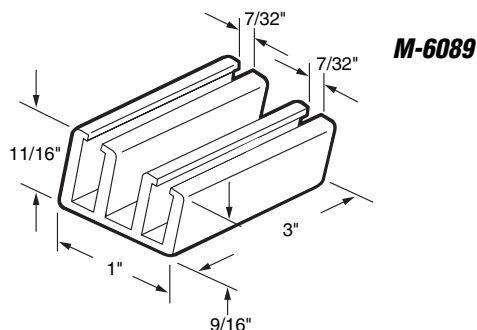
## M-6089

### Bottom Guide

**Contents:** 2 guides.

**Description:** Clear nylon sill guide for frameless shower doors; designed for 3/16" thick glass; use on either flat or sloped sills.

You may wish to stock these related parts: **M-6058**, **M-6059**, **M-6088**.



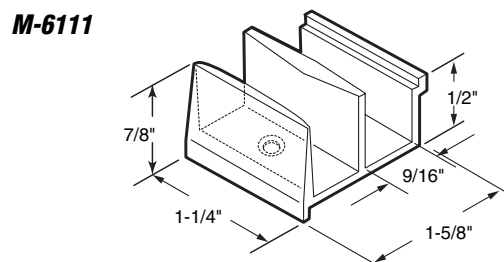
## M-6111

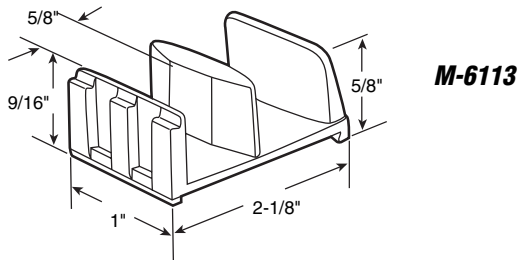
### Bottom Guide

**Contents:** 1 guide.

**Description:** Clear acrylic bottom guide for sliding tub enclosure doors; fits on *Sterling*.

You may wish to stock these related parts: **M-6112**.





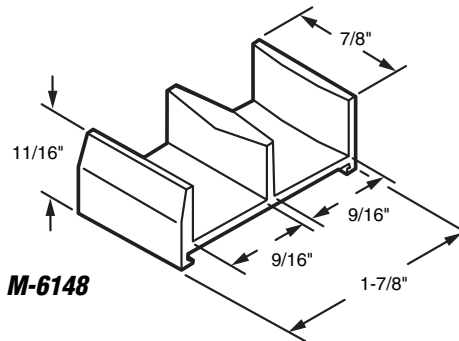
## M-6113

### Bottom Guide

**Contents:** 2 guides.

**Description:** Nylon bottom guide for sliding tub enclosure doors; fits 1/2" thick door rails; used by several shower door manufacturers.

You may wish to stock these related parts: **M-6058**.

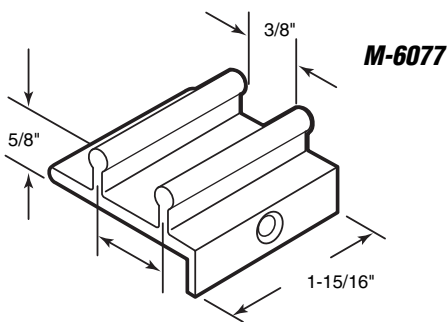


## M-6148

### Bottom Guide

**Contents:** 2 guides.

**Description:** Nylon guide for sliding tub enclosure doors; fits on *Miller Door*.

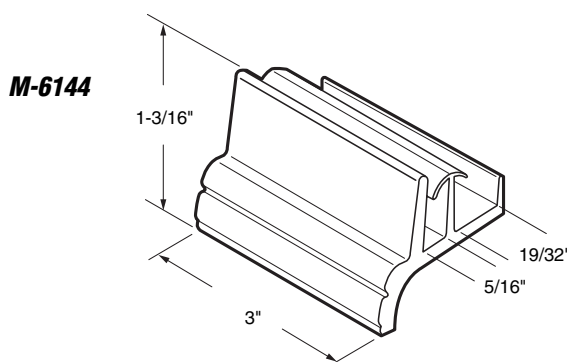


## M-6077

### Bottom Guide

**Contents:** 1 guide with installation screw.

**Description:** Black rigid nylon guide; secures to frame for proper by-pass door alignment.



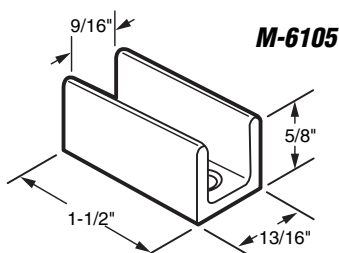
## M-6144

### Bottom Guide

**Contents:** 1 guide.

**Description:** Gray vinyl guide for sliding tub enclosure doors; flexible center divider allows smooth, rattle-free door movement, fits on *Workright Products*.

You may wish to stock these related parts: **M-6143**.



## M-6105

### Bottom Guide

**Contents:** 2 guides.

**Description:** Clear acrylic; bottom guide for frameless shower doors, fits on *Academy Mfg.*

You may wish to stock these related parts: **M-6095; M-6096; M-6106, M-6107, M-6108**.

## M-6106

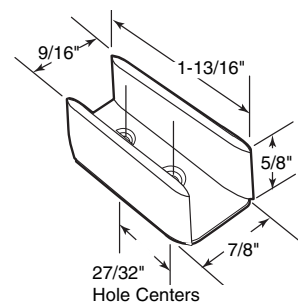
### Bottom Guide

**Contents:** 2 guides.

**Description:** Clear acrylic; bottom guide for frameless shower doors, fits on *Academy Mfg.*

You may wish to stock these related parts: M-6095, M-6096, M-6105, M-6108.

**M-6106**



## M-6107

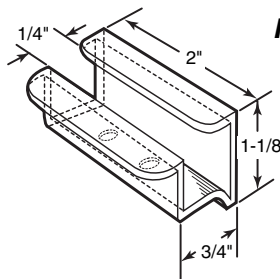
### Bottom Guide

**Contents:** 2 guides.

**Description:** Clear acrylic guide for frameless shower doors; fits on *Academy Mfg.*

You may wish to stock these related parts: M-6095, M-6096, M-6105, M-6106, M-6108.

**M-6107**



## M-6088

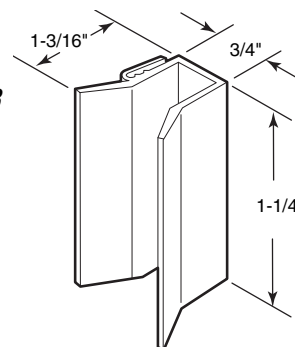
### Jamb Guide

**Contents:** 2 guides.

**Description:** Nylon; jamb mounted sliding door guide, fits on *Bath Co Shower Doors.*

You may wish to stock these related parts: M-6091.

**M-6088**



## M-6091

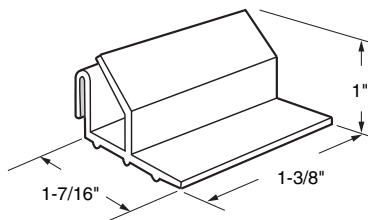
### Jamb Guide

**Contents:** 2 guides.

**Description:** Nylon, jamb-mounted, sliding door guide; fits on *Bath Co. Shower Door.*

You may wish to stock these related parts: M-6088.

**M-6091**



## M-6095

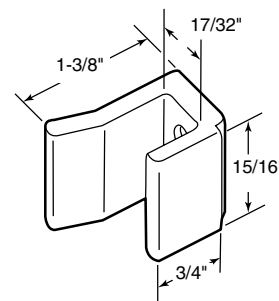
### Jamb Guide

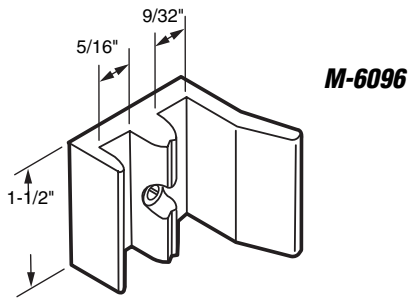
**Contents:** 2 guides.

**Description:** Natural nylon; jamb-mounted sliding door guide; fits on *Academy Mfg.*

You may wish to stock these related parts. M-6090, M-6106.

**M-6095**





**M-6096**

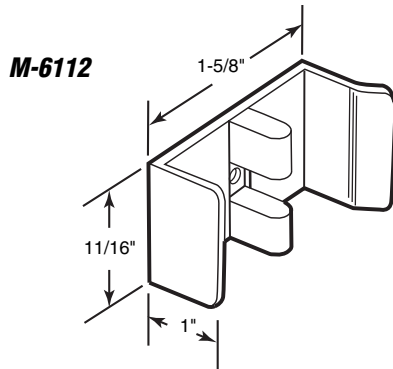
## M-6096

### Jamb Guide

**Contents:** 2 guides.

**Description:** Clear acrylic door guides; jamb-mounted; fits on *Academy Mfg.*

You may wish to stock these related parts: **M-6095, M-6106.**



**M-6112**

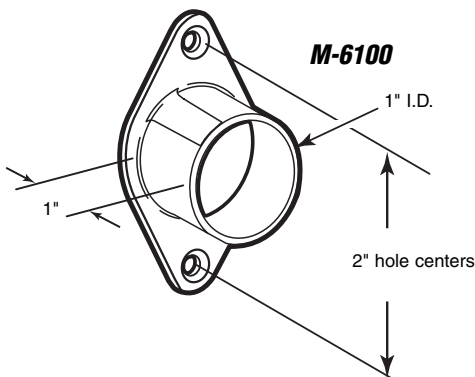
## M-6112

### Jamb Guide

**Contents:** 1 guide.

**Description:** White nylon; jamb-mounted; fits on *Sterling Door.*

You may wish to stock these related parts: **M-6111.**



**M-6100**

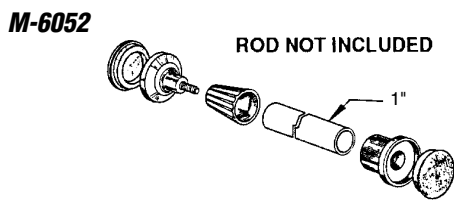
## M-6100 (Chrome finish)

### Curtain Rod Brackets

**Contents:** 2 brackets.

**Description:** Diecast bracket; will accept a 1" shower rod.

You may wish to stock these related parts: **M-6052, M-6075, M-6076, M-6082, M-6141.**



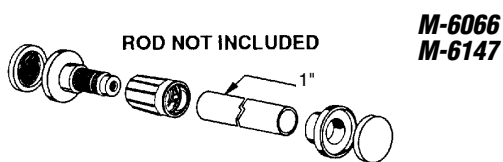
**M-6052**

## M-6052 (Chrome finish)

### Curtain Rod End Brackets

**Contents:** 1 adjustable bracket; 1 fixed bracket; 2 rubber end caps.

**Description:** Diecast brackets; accept a 1" curtain rod; no tools necessary; simply twist to apply pressure between walls.



**M-6066  
M-6147**

## M-6066 (Chrome finish)

## M-6147 (Brass finish)

### Curtain Rod End Brackets

**Contents:** 1 adjustable bracket; 1 fixed bracket; 2 rubber end caps.

**Description:** Electro-plated plastic brackets; accept a 1" curtain rod; no tools necessary; simply twist to apply pressure between walls.

# Shower Door Hardware

- M-6075** (5' aluminum)
- M-6082** (6' aluminum)
- M-6076** (5' stainless steel)
- M-6140** (6' stainless steel)
- M-6146** (5' brass finished aluminum)

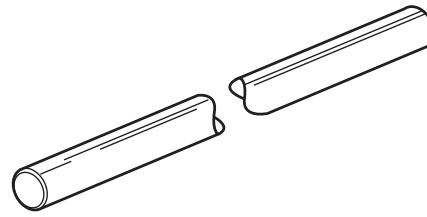
## Shower Curtain Rod

**Contents:** 1 curtain rod.

**Description:** 1" metal rod; use with **M-6052**, **M-6066** or **M-6147** adjustable brackets, or **M-6100** fixed bracket.

You may wish to stock these related parts: **M-6052**, **M-6066**, **M-6100**, **M-6147**.

Minimum order: 5



**M-6075**  
**M-6082**  
**M-6076**  
**M-6140**  
**M-6146**

## M-6101

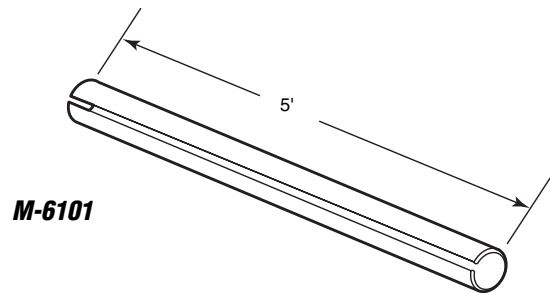
### Rod Cover

**Contents:** 1 rod cover.

**Description:** White plastic; designed to slip over 1" shower rod; protects metal rods against corrosion; adds to contemporary styling.

You may also wish to stock these related parts: **M-6155**, **M-6156**.

Minimum order: 12



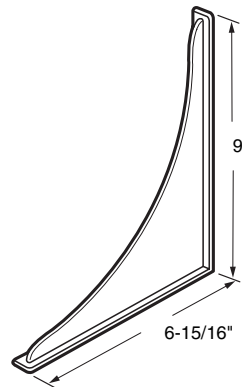
- M-6085** (Porcelain white)
- M-6114** (Ivory)

### Splash Guard (Straight)

**Contents:** 2 guards in poly bag.

**Description:** Plastic guard; non-handed flat design; self-adhesive.

You may wish to stock these related parts: **M-6052**, **M-6066**, **M-6100**.



**M-6085**  
**M-6114**

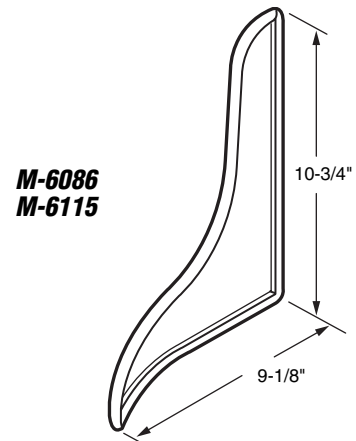
- M-6086** (Porcelain white)
- M-6115** (Ivory)

### Splash Guard (Curved)

**Contents:** 1 pair in poly bag.

**Description:** Plastic guard; curved edge design; 1 left hand and 1 right hand per pair. A mildew resistant adhesive tub caulk or mastic is recommended for installation.

You may wish to stock these related parts: **M-6052**, **M-6066**, **M-6100**.



**M-6086**  
**M-6115**

